

Stream780

Streaming Audio Module with Multi-Room

The versatile and flexible Stream780 module is the ideal base for your next generation connected product. It enables you to add UPnP/DLNA, USB, Internet Music, AirPlay and Google Cast™ to any product. Control can be done via local keys, remote control, smartphone apps, host controller or simply using the included web based user interface. In addition to that you can distribute any audio content to several rooms - fully synchronized - using a standard network connection. The system relies on a powerful CPU which provides enough headroom for future applications.



Features

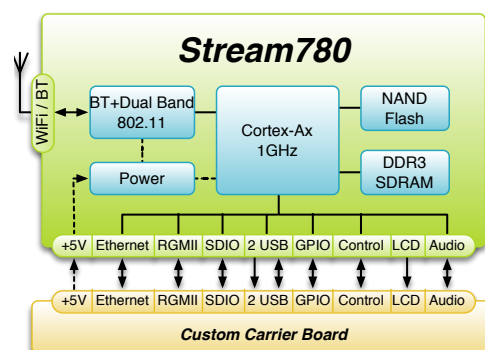
- Ethernet, dual band Wi-Fi 802.11
- Bluetooth 4.0 / BLE
- UPnP/DLNA/AirPlay/USB/Bluetooth access for local content
- Support of various online music services and Google Cast™
- Advanced clock sync for multi-room & multichannel / less than 2µs synchronization accuracy
- Playback of all common audio formats
- Support of HD formats (up to 384kHz/24Bit)
- DSD support (DOP, DSF)
- Local UI with skinning support
- Control via local user interface, Smart Phone App and web user interface
- Small form factor

Possible Product Variations:

- Audio streaming clients controlled via a local user interface, Smart Phone Apps and web based user interface
- Audio/Video receivers
- Active speakers with streaming
- Building and home automation control panels or clients
- Distributed or central server based multi-room systems with multiple audio sources and sinks
- Wi-Fi IoT devices

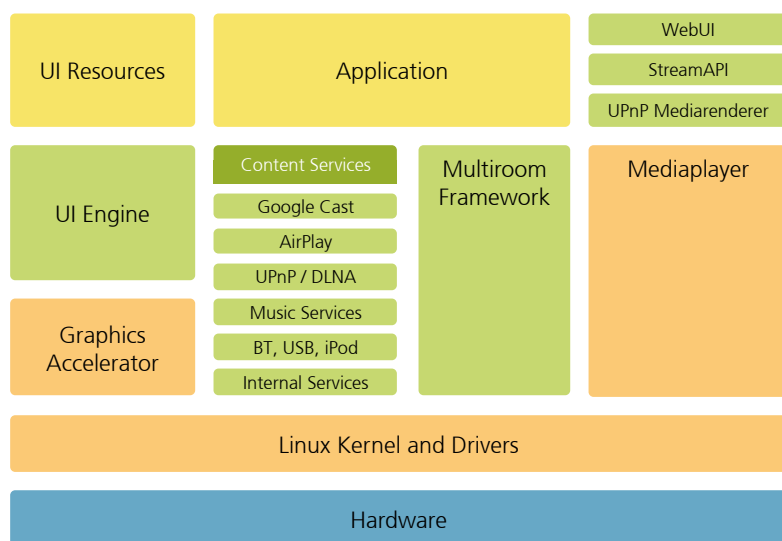
General Benefits

- Reduced development costs and time-to-market
- Software is simple to customize
- Module is in production / reference carrier board is available
- Different configuration options available
- Design-in support and customization services available
- Long term availability and maintenance provided by StreamUnlimited
- Smart Phone/Tablet control apps available
- Long availability of the module due to strong key component life cycle management.



Online Services

- Spotify, Tidal, Rhapsody, SiriusXM, TuneIn, Airable, vTuner, Deezer, etc.
- Other services on request
- Framework for rapid integration

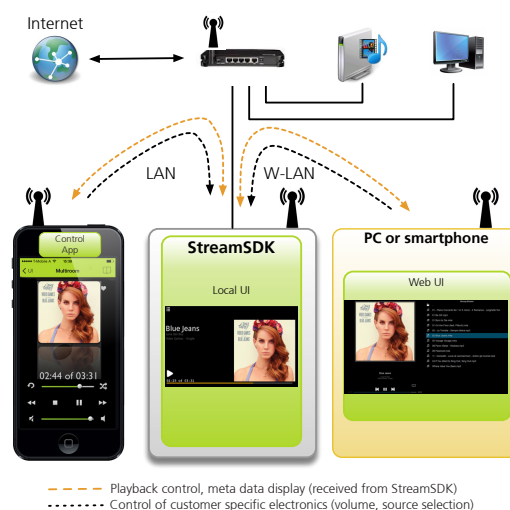


SW architecture

- Engineered from scratch to meet all requirements of next generation audio streaming clients
- Modular design - high flexibility
- Unified API for all content services
- Mediaplayer based on GStreamer
- UI engine allows easy customizations
- Highly portable SW stack
- Continuous quality control of all core SW components/ automated tests
- Full documentation is available
- Linux based

Interfaces/Connectivity

- 1.27 mm pin header connector dual/single row
- Wi-Fi 802.11 (dual band)
- Bluetooth 4.0
- Ethernet 10/100 Mbit/s
- SDIO interface (SD card, alt. Wi-Fi, etc.)
- 2x USB 2.0 with iPod digital audio
- GPIOs, LCD
- Control interface to carrier board (I²C, SPI)
- Digital audio interfaces (I²S, SPDIF)



Options for control

- Local user interface
- Smart Phone App using StreamConLib (iOS, Android)
- Web user interface
- Host controller

StreamUnlimited is an integrated embedded engineering house focusing on innovative and quality products. We have high level competences in Connectivity and User Interface Technology, powered by a strong background in Audio and Video. We provide development and integration services to our customers. StreamUnlimited also offers a range of fully featured digital modules.

