

JPL-2580B

High-End tray loader for CD/SACD/DVD



Description

The JPL-2580B SilverStrike is a tray loading mechanism for use in disc-loading applications such as high end CD/SACD/DVD separates or Home Theatres. It is compatible - in terms of dimensions, mounting points and electrical connections - with a "de facto" industry standard loader.

The tray is an Aluminium-ABS compound framed by high-grade steel rods which are guided in sintered bronze bearings. This combines the noise and vibration damping effects of ABS with a robust metal guiding and the visible touch and feel of the anodized aluminium tray.

AntiVibe system absorbs and dampens vibrations caused by unbalanced discs and prevents noise.

Only first grade materials and components are being used and the loader is fully RoHS compliant.

Versions

The loader is available in following versions:

- ◆ Loading mechanism only for use with a "CE industry compatible" traverse mechanism for CD or DVD (base plate 80mm x 100mm). A traverse mechanism can easily be mounted from the loader bottom without any disassembly of loader parts.
- ◆ Loading mechanism with Sony KHM313 traverse unit mounted and all cables attached.
- ◆ Loading mechanism with traverse mechanism with Sanyo SF-HD850 OPU mounted and all cables attached.

Specification

Weight: 450g (without traverse mechanism)

Operating Temperature: -5°C to 60°C

Storage Temperature: -25°C to 70°C

Noise: <70dB; Shock: >100g; Open/close cycles: >50,000

Electrical connection: 5pin JST connector

Overview

BlueTiger is a connected CD, DVD and BluRay optical drive platform. BlueTiger reference solutions are comprised of a hardware platform, a high quality CD/DVD and Blu-ray loader, and a customizable software framework that enables manufacturers to significantly improve time-to-market and lower development costs when responding to new market opportunities in media convergence.

Applications

- ◆ CD/SACD/DVD Players and Receivers

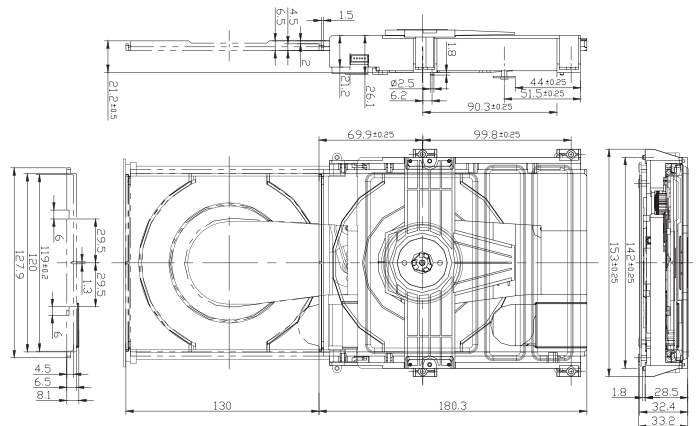
Benefits

- ◆ Robust high end tray loader, with choice of 2 market leading OPU's.

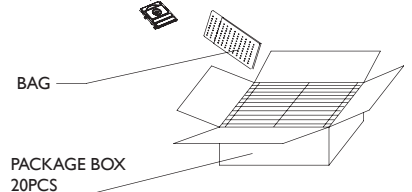
Availability

Samples: available

In mass production



JPL-2580B LOADER



Further Information

StreamUnlimited Optical Storage GmbH

Gutheil-Schoder-Gasse 10

1102 Vienna, Austria

Phone: +43 1 60101 4918

e-mail: opticalstorage@streamunlimited.com

<http://www.streamunlimited.com>

Copyright 2008 StreamUnlimited. All rights reserved. Reproduction in whole or in part is prohibited without the prior consent of the copyright owner. The information presented in this document does not form part of any quotation or contract, is believed to be accurate and reliable and may be changed without notice. No liability will be accepted by the publisher for any consequence of its use. BlueTiger is a trademarks or registered trademark of ANAGRAM Technologies. All other trademarks included herein are the property of their respective owners.